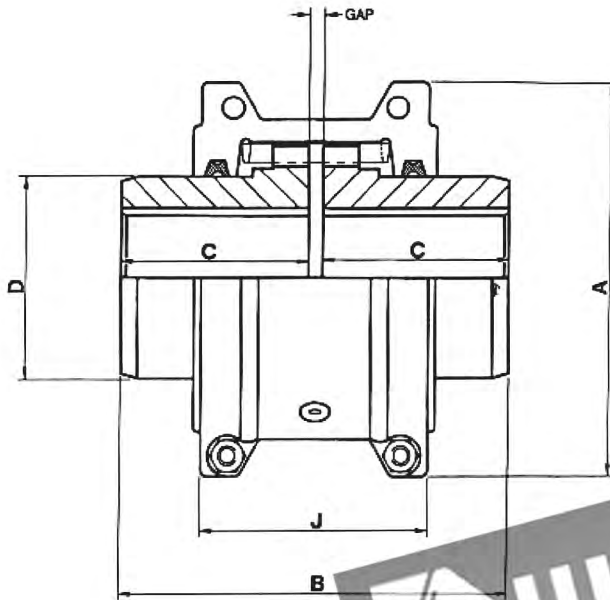


HORIZONTALLY SPLIT COVER COUPLINGS

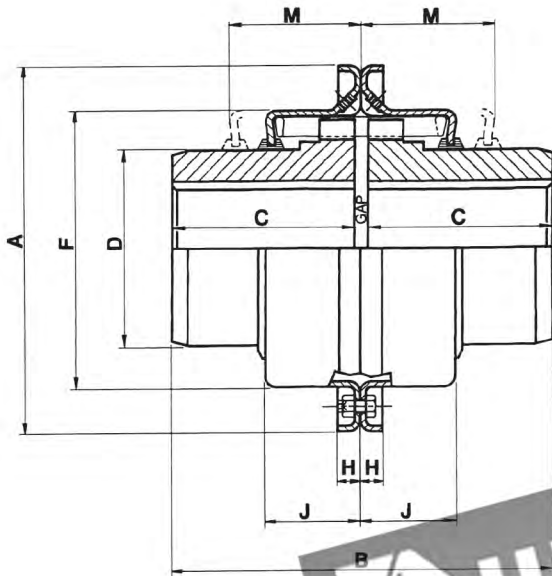


CPLG SIZE	CPLG RATING Nm	MAX RPM	MIN BORE mm	(2) MAX BORE mm	(1) CPLG WT. kg	A mm	B mm	C mm	D mm	J mm	GAP mm
1020	48	4500	12.7	27	1.9	101.6	98.0	47.5	39.7	66.5	3
1030	136	4500	12.7	35	2.6	110.0	98.0	47.5	49.2	68.3	3
1040	226	4500	12.7	44	3.4	117.5	104.6	50.8	57.1	70.0	3
1050	395	4500	12.7	51	5.4	138.0	123.6	60.3	66.7	79.5	3
1060	621	4350	19.1	57	7.3	150.5	130.0	63.5	76.2	92.0	3
1070	904	4125	19.1	68	10	161.9	155.4	76.2	87.3	95.0	3
1080	1864	3600	27	83	18	194.0	180.8	88.9	104.8	116.0	3
1090	3390	3600	27	95	25	213.0	199.8	98.4	123.8	122.0	3
1100	5706	2400	41.3	108	42	250.0	245.7	120.6	142.0	155.5	4.5
1110	8474	2250	41.3	117	54	270.0	258.5	127.0	160.3	161.5	4.5
1120	12428	2025	60.3	137	81	308.0	304.4	149.2	179.4	191.5	6
1130	18078	1800	66.7	165	121	346.0	329.8	161.9	217.5	195.0	6
1140	25987	1650	66.7	184	178	384.0	371.6	182.8	254.0	201.0	6
1150	36155	1500	108	203	234	453.1	371.8	182.9	269.2	271.3	6
1160	50843	1350	120.7	229	317	501.4	402.2	198.1	304.8	278.9	6

NOTE: (1) Coupling weight, unbored.
 (2) Max bores for rectangular keyway according to DIN 6885/1-1968 or ISO R773-1969 or BS4235 pt1-1972.

CPLG SIZE	FALK EQUIVALENT	CPLG SIZE	FALK EQUIVALENT	CPLG SIZE	FALK EQUIVALENT
1020	20T10 1020T10	1070	70T10 1070T10	1120	120T10 1120T10
1030	30T10 1030T10	1080	80T10 1080T10	1130	130T10 1130T10
1040	40T10 1040T10	1090	90T10 1090T10	1140	140T10 1140T10
1050	50T10 1050T10	1100	100T10 1100T10	1150	150T10 1150T10
1060	60T10 1060T10	1110	110T10 1110T10	1160	160T10 1160T10

VERTICALLY SPLIT COVER COUPLINGS



CPLG SIZE	CPLG RATING Nm	MAX RPM	MIN BORE mm	(2) MAX BORE mm	(1) CPLG WT. Kg	A mm	B mm	C mm	D mm	F mm	H mm	J mm	M mm	GAP mm
1020V	48	6000	13	27	1.6	111	98	47.5	39.7	63	9.5	24.4	48	3.2
1030V	136	6000	13	35	2.2	121	98	47.5	49.2	72	9.5	25.2	48	3.2
1040V	226	6000	13	44	3.0	129	105	50.8	57.2	80	9.5	26.0	51	3.2
1050V	395	6000	13	51	5.0	148	124	60.3	66.7	97	13.0	31.4	61	3.2
1060V	621	6000	19	57	6.7	162	130	63.5	76.2	110	13.0	32.2	64	3.2
1070V	904	5500	19	68	9.7	173	156	76.2	87.3	121	13.0	33.8	67	3.2
1080V	1864	4750	25	83	16.6	200	181	88.9	104.8	149	13.0	44.1	89	3.2
1090V	3390	4000	25	95	23.6	232	200	98.4	123.8	168	13.0	47.3	96	3.2
1100V	5706	3250	42	108	39.5	267	246	120.6	142.1	198	16.0	60.2	121	4.8
1110V	8474	3000	42	117	51.9	286	259	127.0	160.4	216	16.0	63.3	124	4.8
1120V	12428	2700	60	137	75.8	319	305	149.2	179.4	246	16.0	73.8	143	6.4
1130V	18078	2400	66	165	115.0	378	330	161.9	217.5	284	22.0	75.4	147	6.4
1140V	25987	2200	66	184	173.0	416	375	182.8	254.0	322	22.0	78.5	156	6.4

NOTE: (1) Coupling weight, unbored.
 (2) Max bores for rectangular keyway according to DIN 6885/1-1968 or ISO R773-1969 or BS4235 pt1-1972.

CPLG SIZE	FALK EQUIVALENT	CPLG SIZE	FALK EQUIVALENT	CPLG SIZE	FALK EQUIVALENT
1020V	20T20 1020T20	1070V	70T20 1070T20	1120V	120T20 1120T20
1030V	30T20 1030T20	1080V	80T20 1080T20	1130V	130T20 1130T20
1040V	40T20 1040T20	1090V	90T20 1090T20	1140V	140T20 1140T20
1050V	50T20 1050T20	1100V	100T20 1100T20		
1060V	60T20 1060T20	1110V	110T20 1110T20		